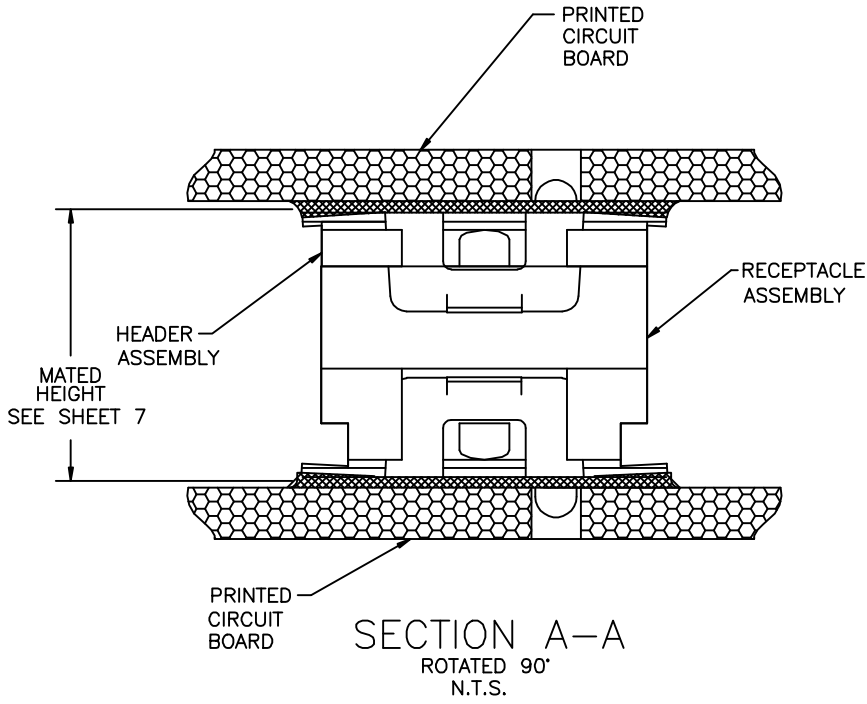
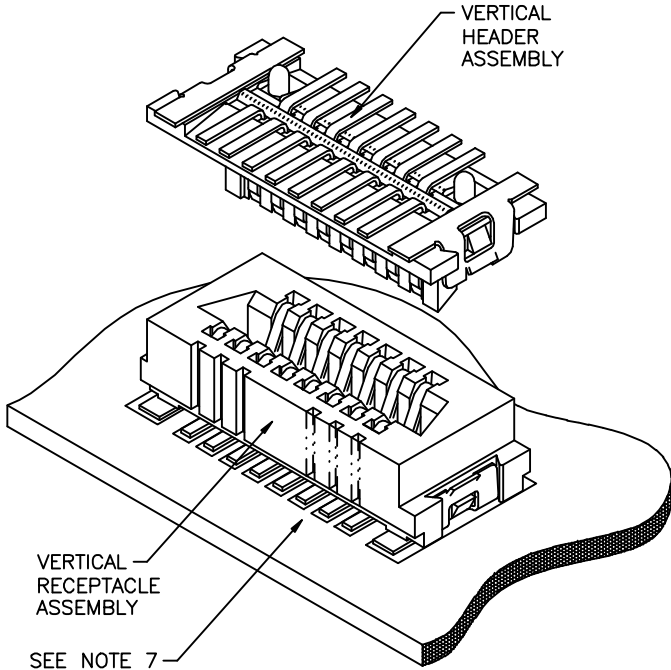


PRODUCT NUMBER  
SEE TABLE

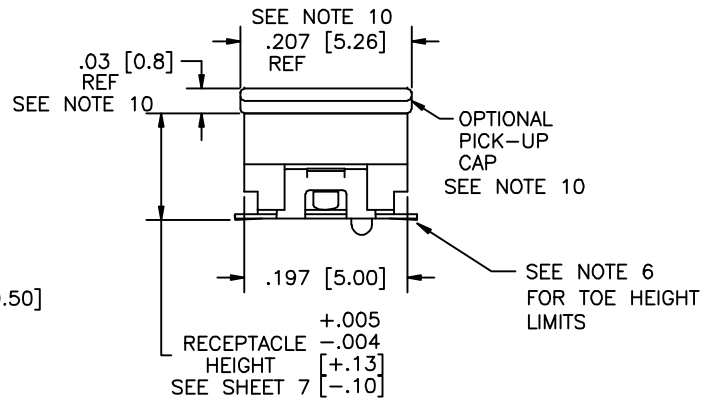
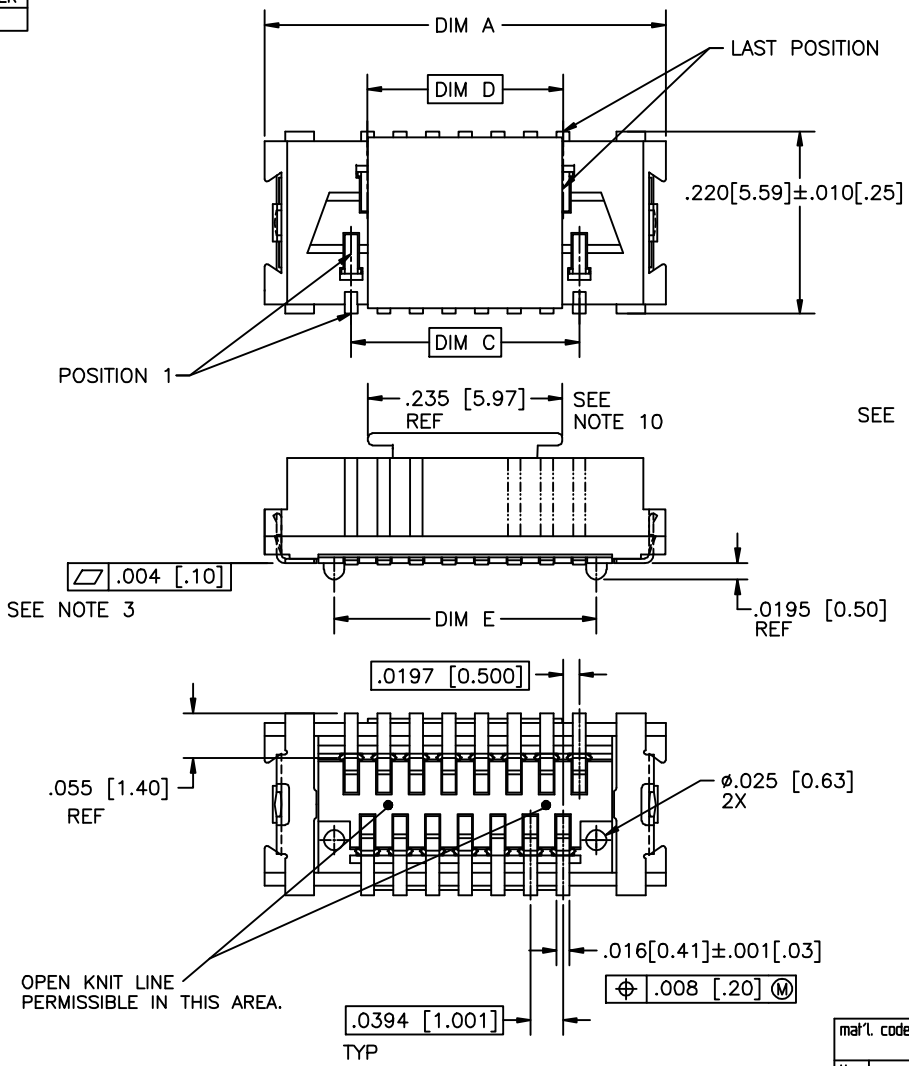


FCIconnect.com

Copyright FCI

mat'l. code				surface	tolerance	projection	product family	
				ISO 1902	ISO 406 ISO 1101	 INCH/MM scale 5:1	CONAN	
tolerances unless otherwise specified Y V03-1347 AA 12/20/01 AA M04-0190 MHT 9/24/04 AB M05-0110 MHT 5/26/05 0'±2' AC M06-0232 AGS 06/12/08 dr AD M06-0373 MHT 9/26/06 eng AE M08-0012 AGS 1/11/08 chr AF M08-0287 MHT 10/02/08 appd				linear	.001/.01/.010 .0005/.006/.010 .0005/.0020/.0010/0.05		title <b>CONAN™ CONNECTOR ASSEMBLY</b>	
							dwg no 91900	
							sheet 1 of 7 size A3	
type		Product Customer Drawing						
sheet	revision	AF	AF	AF	AF	AF	AF	
index	sheet	1	2	3	4	5	6	7

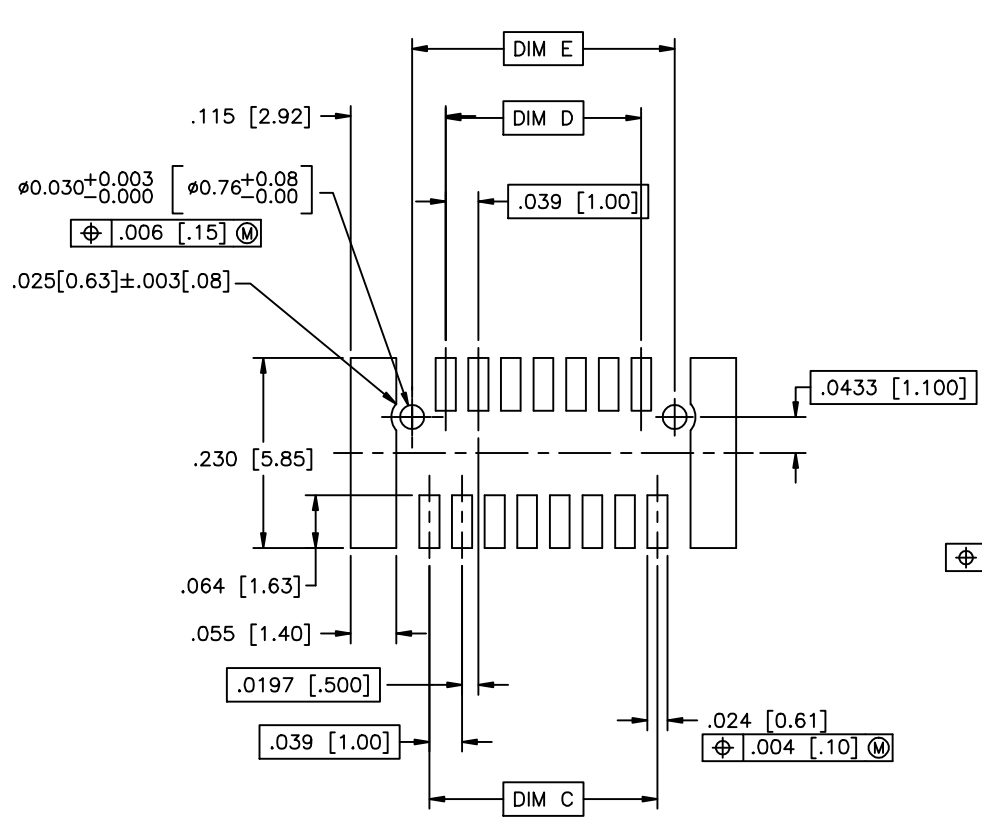
PRODUCT NUMBER  
SEE TABLE



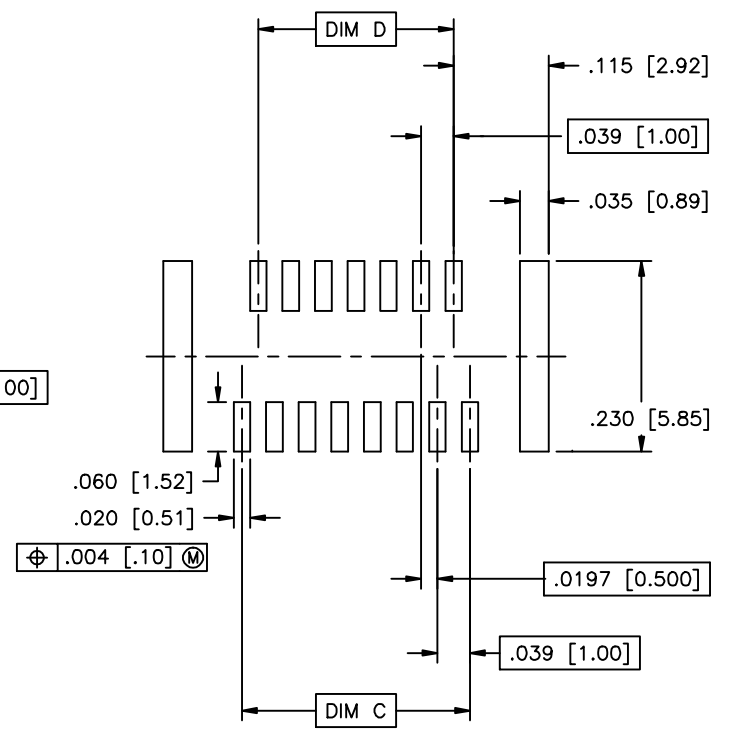
Copyright FCJ

mat'l. code		surface	ISO 1902	tolerance	ISO 406	projection	ISO 1101	product family	CONAN
ltr	ec'n no	dr	date	tolerances unless otherwise specified		INCH/MM	scale 5:1	title	
AF				linear	$.001/01/.010$			CONAN™ CONNECTOR ASSEMBLY	
				angles	$.0004/006/.0010$	dwg no			
				$0' \pm 2'$	$.0004/0020/.0010/05$	sheet 2 of 7 size			
				dr	R.SEIPLE 11/13/91	91900			
				engr	D.HORCHLER 01/10/92	A3			
				chr	D.HORCHLER 01/10/92	type			
				appd	D.HORCHLER 01/10/92	Product Customer Drawing			
sheet	revision								
index	sheet								

PRODUCT NUMBER  
SEE TABLE



RECOMMENDED  
PAD LAYOUT



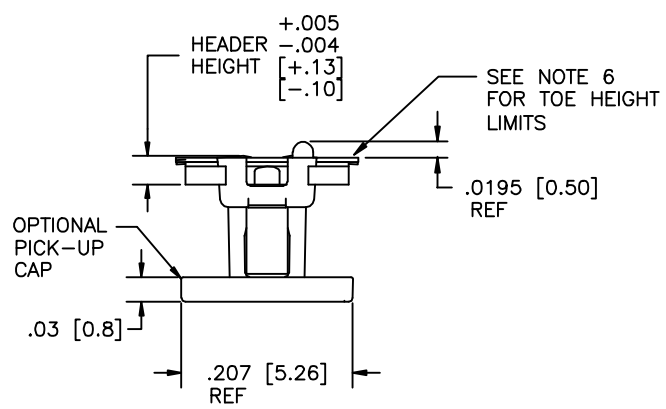
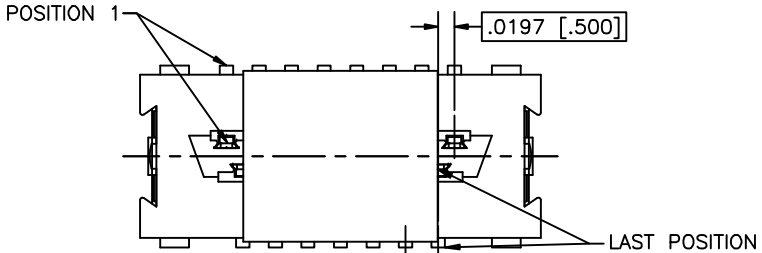
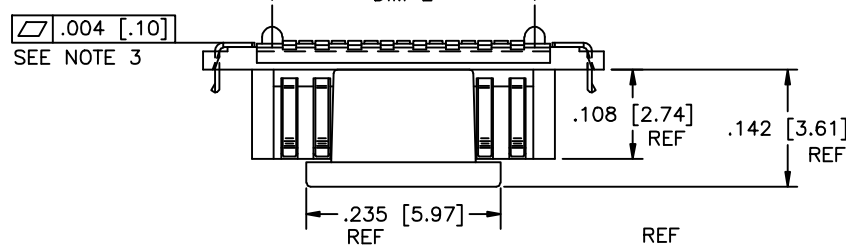
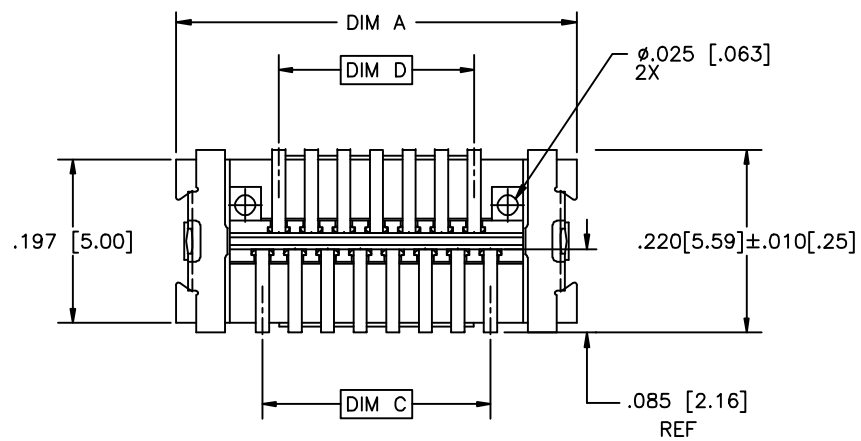
RECOMMENDED  
STENCIL LAYOUT  
FOR RECEPTACLE



Copyright FCJ

mat'l. code				surface ISO 902		tolerance ISO 406 ISO 7001		projection INCH/MM		product family CONAN	
ltr				ecn no		dr		date		title CONAN™ CONNECTOR ASSEMBLY	
AF										scale 5:1	
				angles		linear				sheet 3 of 7 size	
				0° ± 2'		XXX±.01/XXX.03				A3	
						XXX±.006/XXX±0.13				dwg no 91900	
						XXX±.0020/XXX±0.051				type Product Customer Drawing	
				dr		R.SEIPLE		11/13/91			
				engr		D.HORCHLER		01/10/92			
				chr		D.HORCHLER		01/10/92			
				appd		D.HORCHLER		01/10/92			
sheet		revision									
index		sheet									

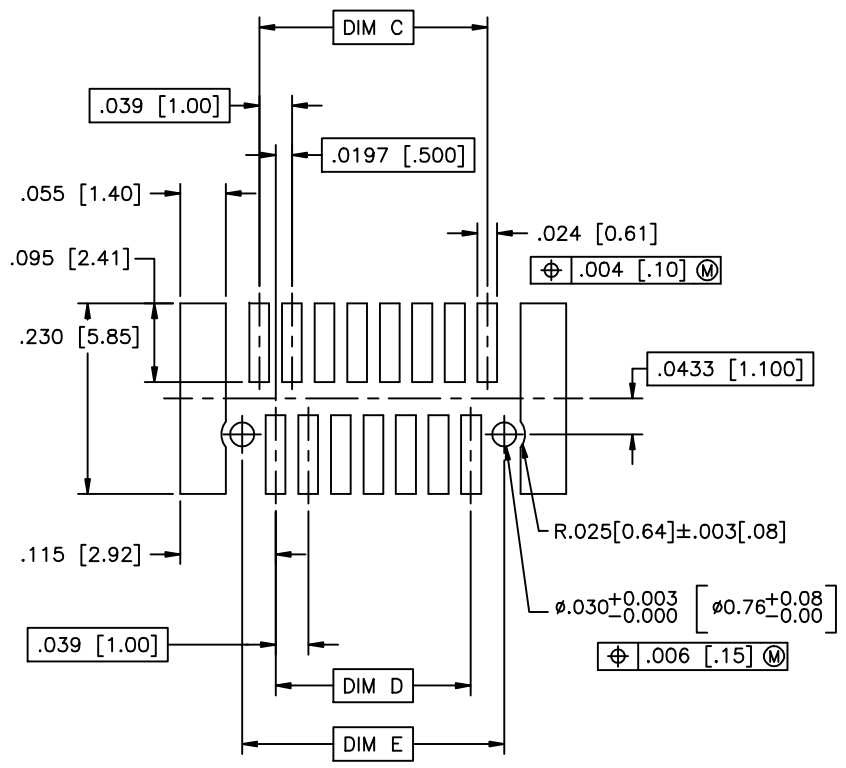
PRODUCT NUMBER  
SEE TABLE



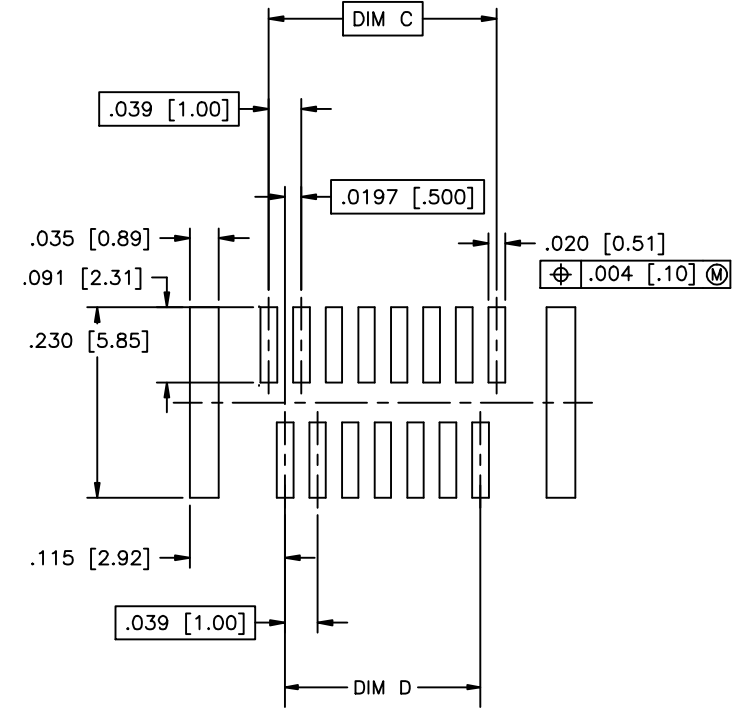
Copyright FCJ

mat'l. code		surface		ISO 1902	tolerance	ISO 406	projection	product family		
ltr		ecp no	dr	date	tolerances unless otherwise specified		INCH/MM	CONAN		
AF					angles	linear		title		
					0' ± 2'	XXX±.01/XXX±.03	CONAN™ CONNECTOR ASSEMBLY			
						XXX±.006/XXX±.013	scale 5:1	dwg no	sheet 4 of 7 size	
						XXX±.0020/XXX±0.051		91900	A3	
					dr	R.SEIPLE		11/13/91	type Product Customer Drawing	
					engr	D.HORCHLER		01/10/92		
					chr	D.HORCHLER		01/10/92		
					appd	D.HORCHLER	01/10/92			
sheet index	revision sheet									

PRODUCT NUMBER  
SEE TABLE



RECOMMENDED  
PAD LAYOUT



RECOMMENDED  
STENCIL LAYOUT  
FOR HEADER



Copyright FCJ

mat'l. code		surface ISO 1902		tolerance ISO 406 ISO 7001		projection FIRST ANGLE		product family CONAN	
ltr	ecn no	dr	date	tolerances unless otherwise specified				title CONAN™ CONNECTOR ASSEMBLY	
AF				angles	linear	XXX±.01/XXX±.03	INCH/MM		sheet 5 of 7 size
				0'±2'		XXX±.006/XXX±.013	scale 5:1		A3
				dr	R.SEIPLE	11/13/91	FCJ		type Product Customer Drawing
				engr	D.HORCHLER	01/10/92	dwg no 91900		
				chr	D.HORCHLER	01/10/92			
				appd	D.HORCHLER	01/10/92			
sheet index	revision sheet								

PRODUCT NUMBER	POS	DIM "A"	DIM "C"	DIM "D"	DIM "E"
919TC-WXY09	9	.366 [9.30]	.157 [4.00]	.118 [3.00]	.1990 [5.055]
-WXY09LF					
-WXY11	11	.406 [10.30]	.197 [5.00]	.157 [4.00]	.2380 [6.045]
-WXY11LF					
-WXY15	15	.484 [12.30]	.276 [7.00]	.236 [6.00]	.3170 [8.052]
-WXY15LF					
-WXY21	21	.602 [15.30]	.394 [10.00]	.354 [9.00]	.4350 [11.049]
-WXY21LF					
-WXY25	25	.681 [17.30]	.472 [12.00]	.433 [11.00]	.5140 [13.056]
-WXY25LF					
-WXY31	31	.800 [20.30]	.591 [15.00]	.551 [14.00]	.6320 [16.053]
-WXY31LF					
-WXY41	41	.996 [25.30]	.787 [20.00]	.748 [19.00]	.8290 [21.057]
-WXY41LF					
-WXY51	51	1.193 [30.30]	.984 [25.00]	.945 [24.00]	1.0260 [26.060]
-WXY51LF					
-WXY69	69	1.547 [39.30]	1.339 [34.00]	1.299 [33.00]	1.3800 [35.052]
-WXY69LF					

NOTES:

1. MATERIALS:

RECEPTACLE HOUSING - LCP, UL-94V-0. COLOR: NATURAL.

RECEPTACLE TERMINALS - COPPER ALLOY, PLATED WITH 15u"/.38u GXT™ IN CONTACT AREA AND 100u"/2.54u Sn ON SOLDER LEGS WITH AN OVERALL 50u"/1.27u Ni UNDERPLATE.

HEADER HOUSING - LCP, UL-94V-0. COLOR: NATURAL.

HEADER TERMINALS - COPPER ALLOY, PLATED WITH 15u"/.38u GXT™ IN CONTACT AREA AND 100u"/2.54u Sn ON SOLDER LEGS WITH AN OVERALL 50u"/1.27u Ni UNDERPLATE.

RETENTION DEVICE - BRASS, PLATED WITH 100u"/2.54u Sn OVER NICKEL.

2. REFERENCE GS-12-006 FOR PRODUCT PERFORMANCE DATA.

③ SEE TA-774 FOR FURTHER DESCRIPTION OF HOW THIS DIMENSION IS APPLIED.

④ PICK AND PLACE CAP OR TAPE IS ONLY AVAILABLE WITH OPTION 3 PACKAGING. (PSA ADHESIVE SEALED). ALSO, PSA PACKAGING REQUIRES A PICK AND PLACE CAP.

5. RECOMMENDED SOLDER PASTE THICKNESS IS .006 TO .008 INCHES THICK.

⑥ THE TOE HEIGHT OF THE SOLDER TAIL SHALL BE MEASURED FROM THE LOWEST POINT OF THE .004 CO-PLANARITY GRAVITY PLANE. THIS MEASUREMENT IS NOT TO EXCEED A WINDOW OF .000 TO .007 INCHES.

⑦ THREE SLOTS MAY BE LOCATED AT EITHER END OF HOUSING.

⑧ 5.50mm MATED HEIGHT IS ONLY AVAILABLE IN 9, 15 AND 31 POS.

⑨ 7.50mm MATED HEIGHT IS ONLY AVAILABLE IN 9 POS.

⑩ APPLIES TO 91921-3XYZZ AND 91931-3XYZZ OPTIONS ONLY.

11. THE HOUSING WILL WITHSTAND EXPOSURE TO 260°C PEAK TEMPERATURE FOR 30 SECONDS IN A CONVECTION INFRA RED OR VAPOR PHASE REFLOW OVEN. SEE APPLICATION/PROCEDURES IF THEY ARE AVAILABLE

⑫ PRODUCT WITH "LF" AT THE END MEETS EUROPEAN UNION DIRECTIVES AND OTHER COUNTRY REGULATION AS DESCRIBED IN GS-22-008.



FCIconnect.com

Copyright FCI

mat'l. code		surface	tolerance	projection	product family
		ISO 1902	ISO 406		CONAN
			ISO 1101		
ltr	ec'n no	dr	date	title	
AF				CONAN™ CONNECTOR ASSEMBLY	
tolerances unless otherwise specified				INCH/MM	scale 5:1
angles		linear	XXX.X/XXX.3		
			XXX.X/XXX.13		
0°±2'			XXX.X/XXX.05		
dr	R.SEIPLE	11/13/91			
engr	D.HORCHLER	01/10/92			
chr	D.HORCHLER	01/10/92			
appd	D.HORCHLER	01/10/92			
sheet	revision			dwg no	sheet 6 of 7 size
index	sheet			91900	A3
				type	Product Customer Drawing

PRODUCT NUMBER  
SEE TABLE

CONAN ASSEMBLY PART NUMBER

919 T C - W X Y ZZ LF

LEAD FREE OPTION  
SEE NOTE 12

TYPE	T
HEADER WITH NO PEGS	0
HEADER WITH PEGS	1
RECEPTACLE WITH NO PEGS	2
RECEPTACLE WITH PEGS	3

PICK AND PLACE CAP OR TAPE (NOTE 4)	C
WITHOUT CAP OR TAPE	0
WITH CAP	1
WITH TAPE (RECEPTACLE ONLY)	2

PACKAGING	W
TUBE	2
PRESSURE SEALED TAPE & REEL	3

NOTE 4

Y	HEADER HEIGHT	RECEPTACLE HEIGHT	MATED HEIGHT + .010 - .008 [+ .25] [- .20]
1	.034 [.86]	.129 [3.28]	.163 [4.15]
2	.048 [1.23]	SEE Y=1 FOR ALL RECEPTACLES	.177 [4.50]
3	.068 [1.73]		.197 [5.00]
4	.107 [2.72]		.236 [6.00]
5	.1465 [3.721]		.276 [7.00]
* 6	.088 [2.23]		.216 [5.50]
** 7	.1665 [4.229]		.296 [7.52]

\* NOTE 8  
\*\* NOTE 9

X	PLATING
1	15u"/.38u GXT™
2	30u"/.76u GXT™

ZZ	NUMBER OF POSITIONS
09	9
11	11
15	15
21	21
25	25
31	31
41	41
51	51
69	69

EXAMPLE: 91921-31125LF  
IS A CONAN RECEPTACLE ASSEMBLY,  
HAVING NO PEGS AND WITH A PICK AND PLACE CAP.  
IT ALSO HAS GXT™ PLATING, IS .13 [3.2] HIGH AND 25  
POSITIONS AND IS PACKAGED IN PRESSURE SEALED TAPE,  
REEL AND LEAD FREE.

mat'l. code		surface ISO 902	tolerance ISO 406 ISO 1101	projection 	product family CONAN
ltr	ecn no	dr	date	tolerances unless otherwise specified	
AF				angles linear XXX±.01/XXX±.03 XXX±.06/XXX±.13 0'±2'	INCH/MM scale 5:1
title CONAN™ CONNECTOR ASSEMBLY		dwg no 91900		sheet 7 of 7 size A3	
sheet index		revision sheet		type Product Customer Drawing	